

UNIT STORAGE INSTRUCTION



IN THE CASE THAT THE UNIT HAS NOT BEEN ASSEMBLED.

- Do not store the unit in the areas prone to corrosion or accumulation of dirt.
- Protect the device from dust, dirt, humidity, pollution and other contaminants.
- Do not store the unit for longer than necessary.
- Store the unit and other accessories in their original packaging only.
- Store the unit in a closed area where it is protected from dust, dirt, humidity and free from contamination until installation.
- Do not use a plastic sheet or canvas to cover the unit during storage because it may cause the heat inside the unit to rise so high that it causes the damages to the plastic parts.



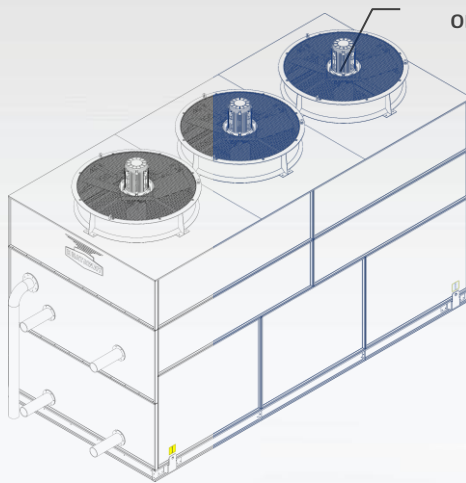
dust or dirt



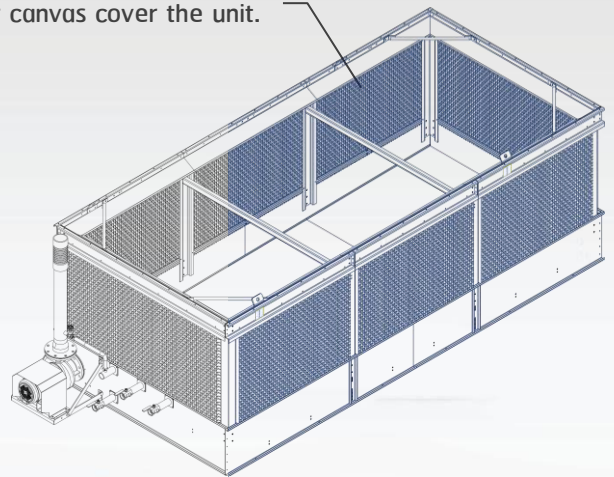
humidity



corrosion



Do not use a plastic sheet
or canvas cover the unit.



IN THE CASE THAT THE UNIT HAS BEEN ASSEMBLED AND INSTALLED BUT HAS NOT YET BEEN OPERATED

- Protect the unit from dust, dirt, humidity, various pollution and other contaminants occurring in the unit installation area.
- Do not use plastic sheets or canvas to cover the louver and fan chimney to allow the air flow smoothly and prevent the heat inside the unit to rise so high that it causes damages the plastic parts.
- Leave the drain valve open to prevent stagnation of water in the tub.

In case the unit has been idle for over a month

- Use high-pressure water spray to clean the cooling coil inside the unit to remove dirt and reduce the accumulation of water stains or stagnant water that may cause the accumulation of chloride and cause the cooling coil to corrode.
- Rotate fan and water pump by hand once a month at least 10 rounds at a time to prevent the locking of motor caused by stains.
- If the unit has been energized, turn on the fan to run once a month for at least 2 hours at a time to remove humidity inside the motor and prevent the locking of motor caused by stains.

Notes: The company reserves the right to guarantee in the event that the instructions are not followed. If you encounter any problems or have questions, please contact the machine vendor or HEATAWAY Co., Ltd.